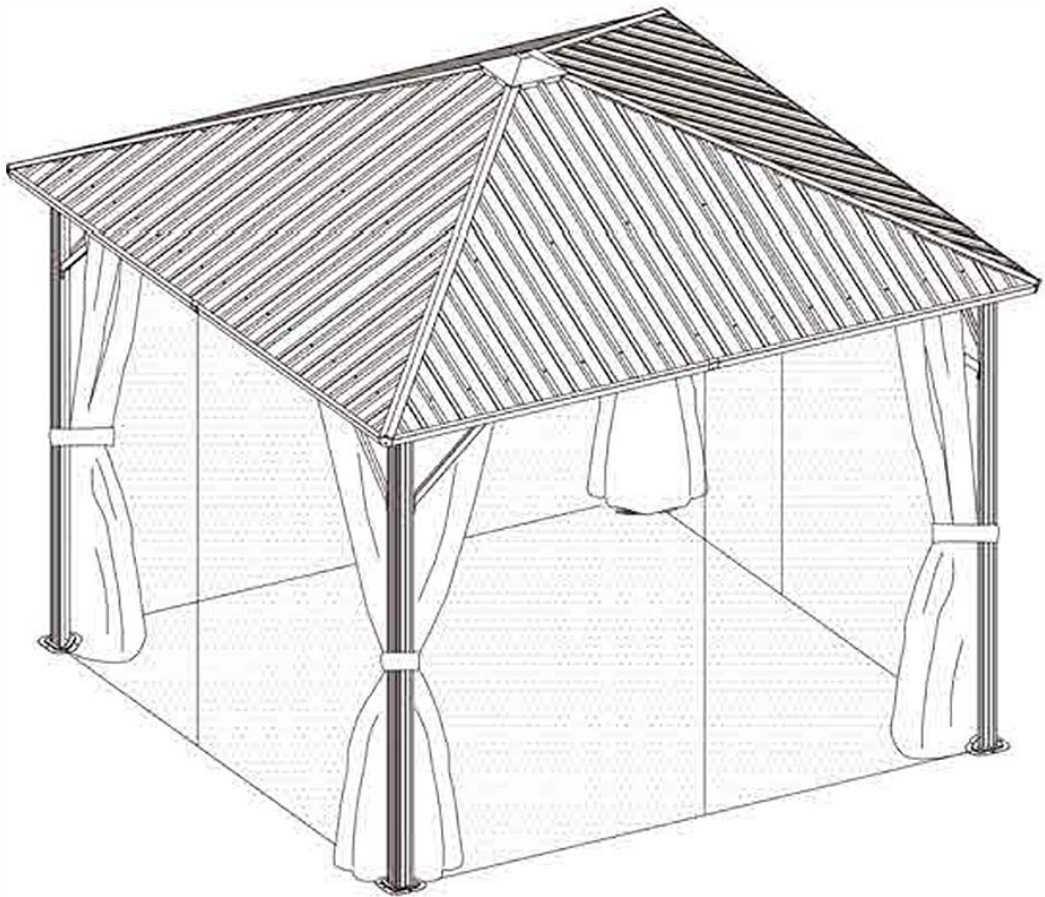


# ASSEMBLY MANUAL

## 10'x10'





1. Two or more people are required for assembly.



2. You will need one or more stepladders.



3. Wearing protective gloves is recommended.



4. You may need a safety hat.



5. Use the hex keys in the box.



6. Please use a Phillips screwdriver.

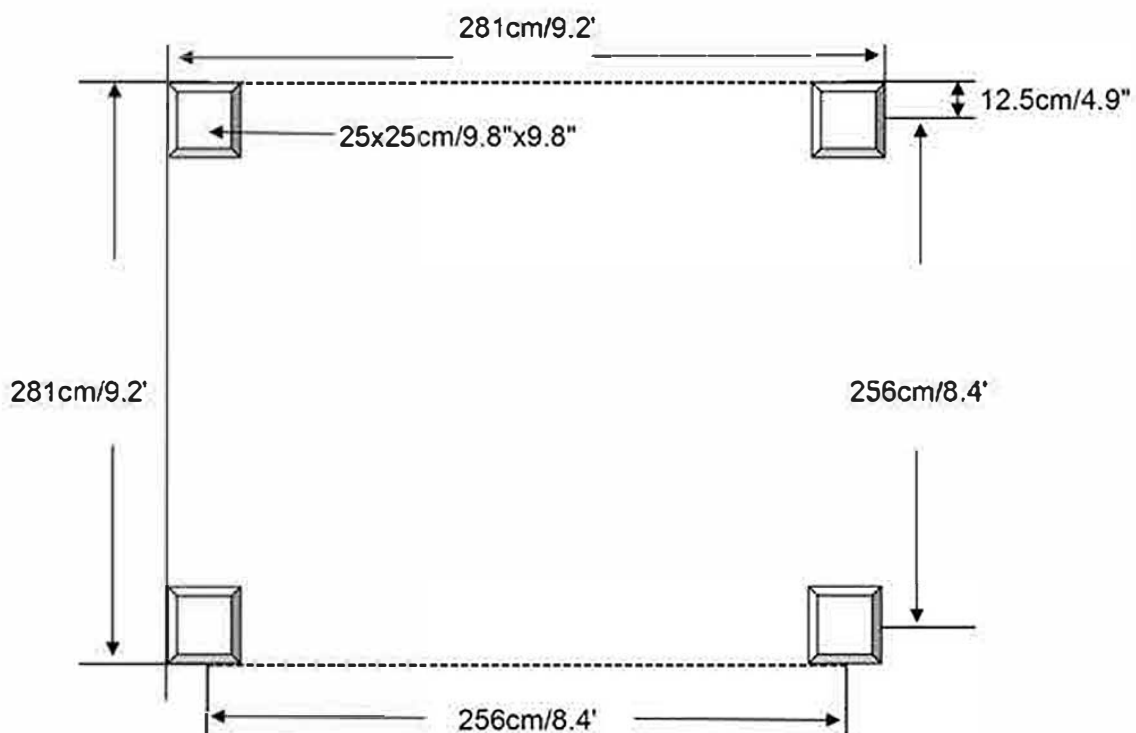


7. Do not fully tighten screws prior to complete assembly.



8. For ease of construction, you may need to use a drill.

## 10x10' ANCHOR BLUEPRINT





(A) X4



(J) X4



(J1) X4



(C) X4



(B) X4



(K) X96



(L) X4



(M) X4



(C1) X4



(D) X4



(N) X1



(N1) X1



(P) X4



(P1) X4



(D1) X4

ITEM	DESCRIPTION	QTY
A	Pole	4
C	Beam	4
C1	Beam	4
D	Corner Roof Bar	4
D1	Roof Bar	4
E	Finishing Bar	4
E1	Finishing Bar	4
G	Solidifying Bar	4
G1	Solidifying Bar	4
J	Corner Solidifying Bar	4
J1	Corner Solidifying Bar	4
B	Base	4
K	Hook	96
L	Joint Cover	4
M	Corner Cover	4
N	Outside Roof Connector	1
N1	Inside Roof Connector	1
P	Finishing End	4
P1	Finishing End	4



(E) X4



(E1) X4



(G) X4



(G1) X4



Q X4



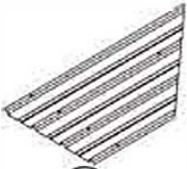
Q1 X4



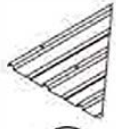
Q2 X4



Q3 X4



Q4 X4



Q5 X4



S X4



S1 X4



U X88



V X1



V1 X1



W X4



X X56



X1 X4



X2 X4



M6x12  
AA X65+5



M5x10  
BB X16+2



M6x16  
CC X32+3



ST4.8x12  
I X24+2



M6x28  
O X56+4



M6x45  
R X24+2



M6x8  
T X4+1



M6x25  
Y X4+1



M6x50  
Z X4+1

ITEM	DESCRIPTION	QTY
Q	Panels	4
Q1	Panels	4
Q2	Panels	4
Q3	Panels	4
Q4	Panels	4
Q5	Panels	4
S	Solide Sidewall	4
S1	Mosquito Sidewall	4
U	Spacer	80
V	Allen Key/Wrench	1/1
V1	Screw Driver	1
W	Joint Cover	4
X	Metal Bracket	56
X1	Metal Bracket	4
X2	Metal Bracket	4
AA	Screws	65+5
BB	Screws	16+2
CC	Screws	32+3
I	Screws	24+2
O	Screws	56+4
R	Screws	24+2
T	Screws	4+1
Y	Screws	4+1
Z	Screws	4+1



Parts Required:



(A) X4



(B) X4

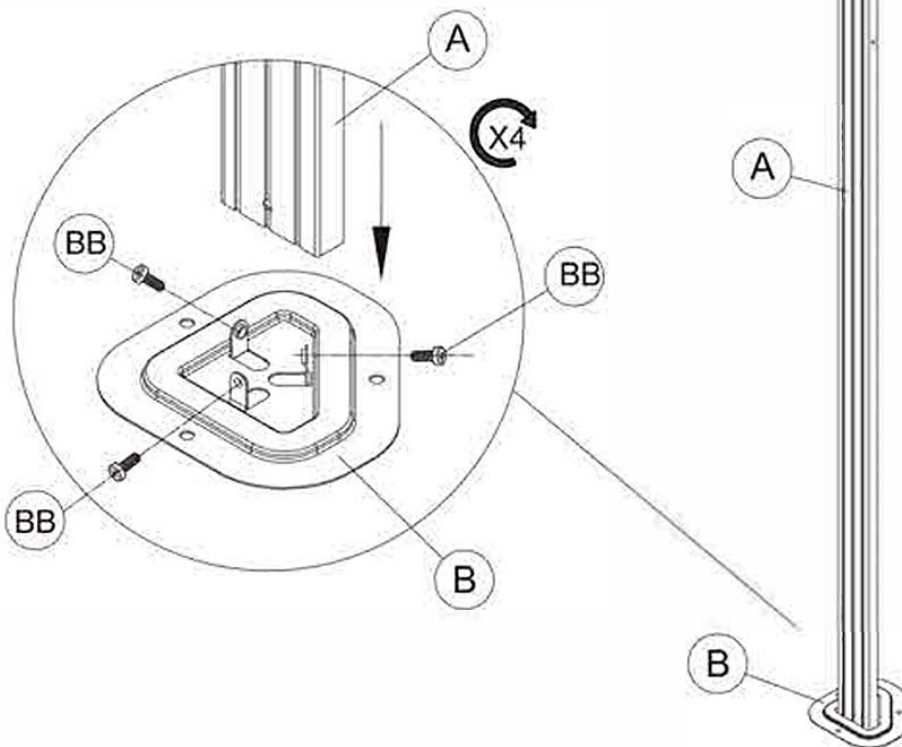


M5x10

(BB) X12

Step 1:

Set up poles (Part A) with stand palettes (Part B) using screws BB as shown in diagram.



Parts Required:



(C) X4



(C1) X4



(K) X96



M6x12

(AA) X16

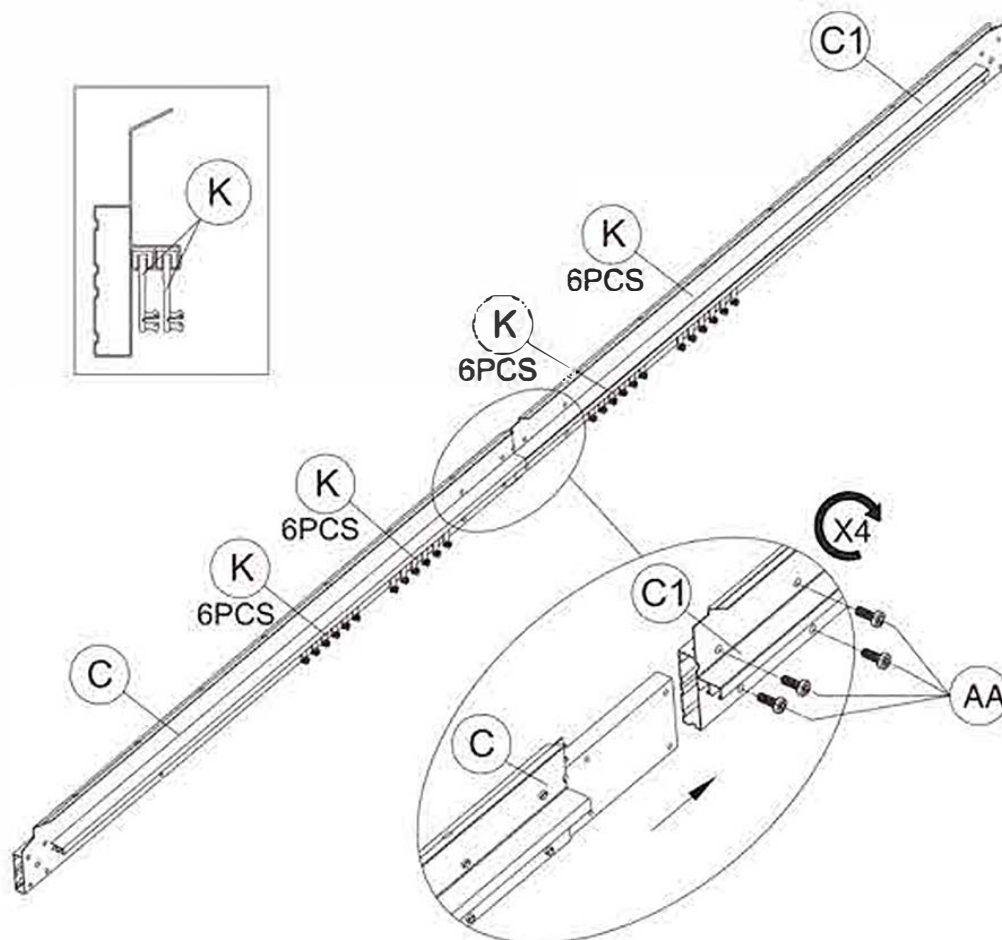


S4





(V) X1

Step 2:

Put 6 Hooks to each slot of sidewall track (Part C and C1). Connect Part C and Part C1 into one beam using screws AA.

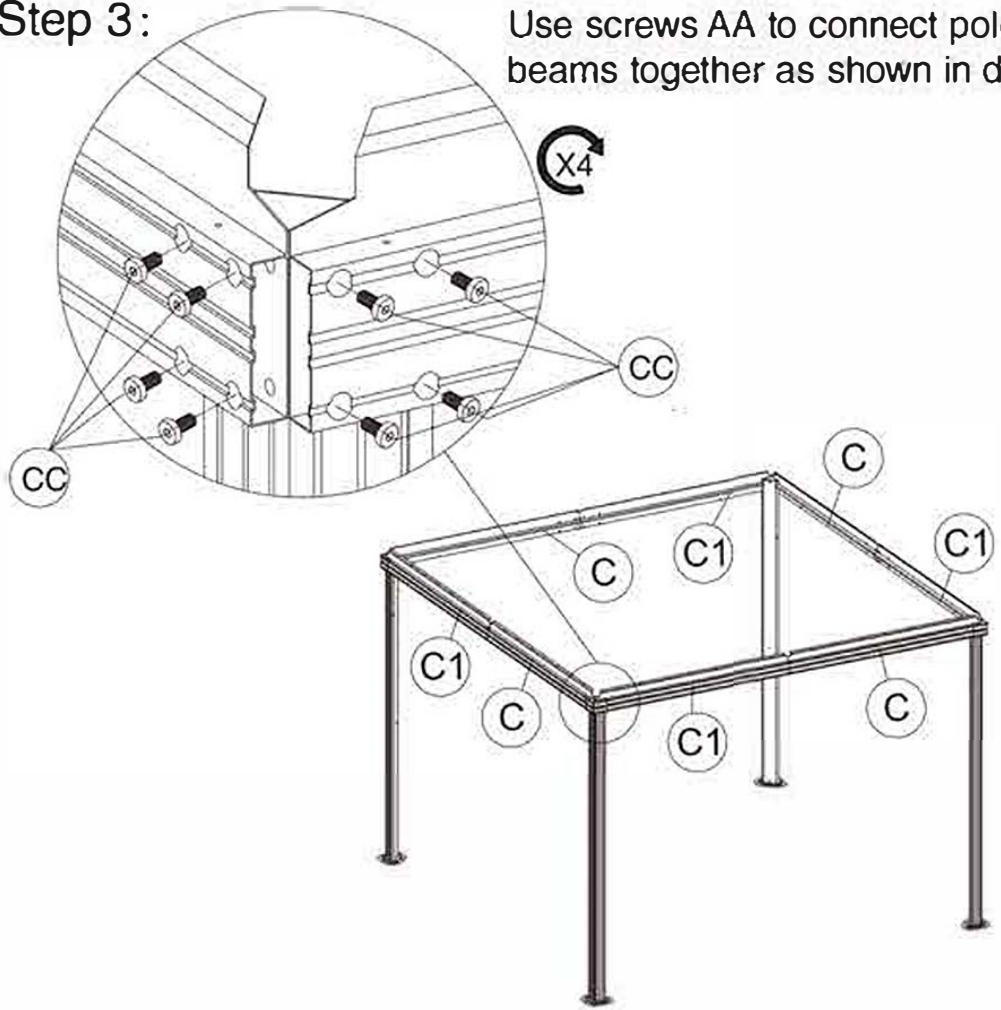


Parts Required:

-  M6x16
-  X32
-  S4
-  X1









Step 3:

Use screws AA to connect poles and beams together as shown in diagram.

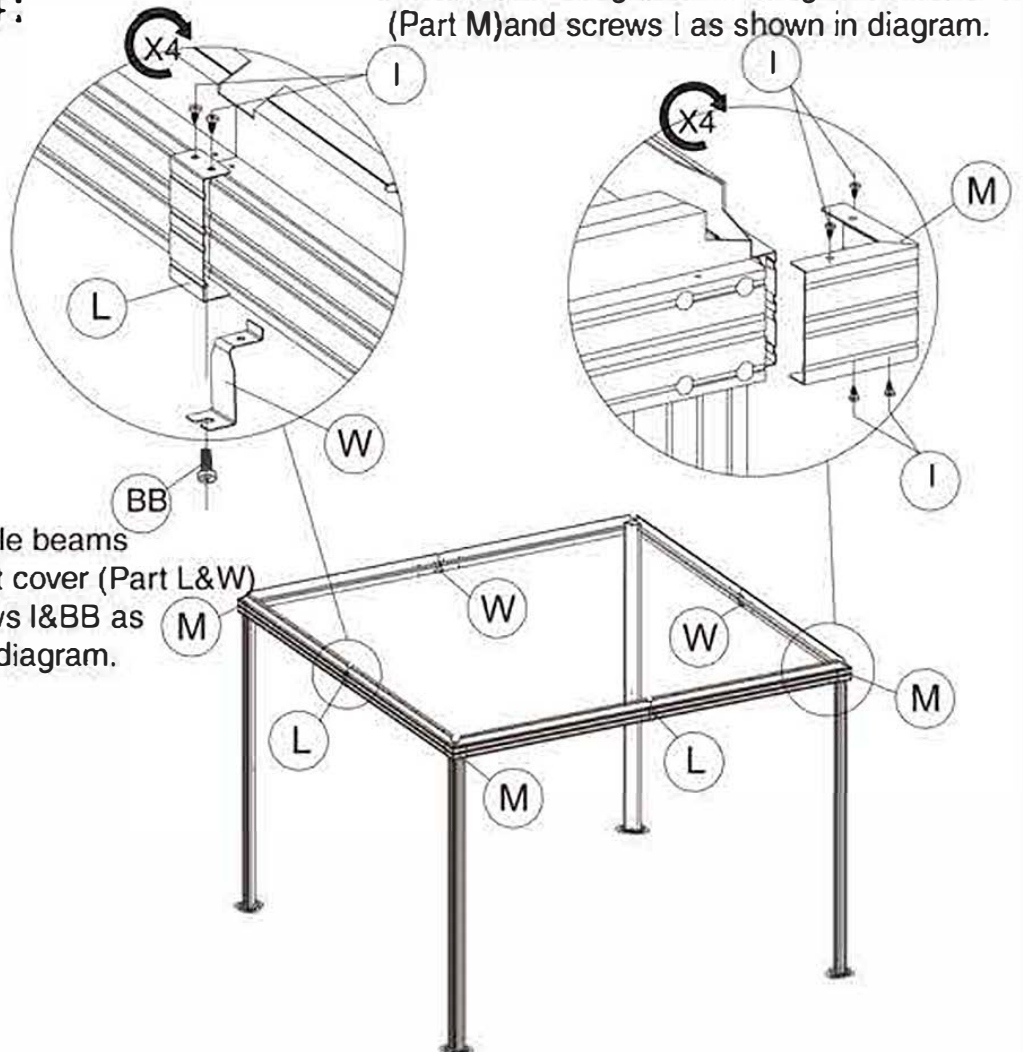


Step 4:

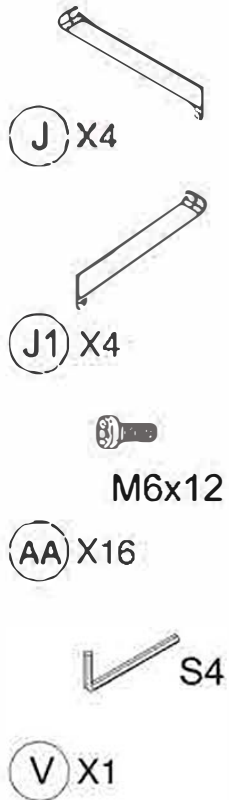
Finish connecting beams using corner covers (Part M) and screws I as shown in diagram.

-  L X4
-  M X4
-  W X4
-  M5x10
-  X4
-  ST4.8x12
-  X24
-  V1 X1

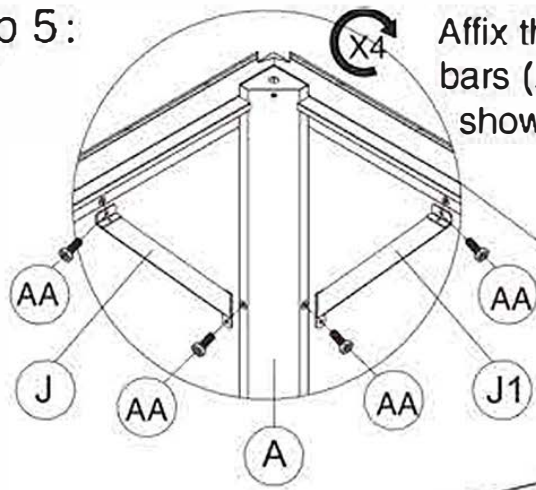
Affix middle beams using joint cover (Part L&W) and screws I&BB as shown in diagram.



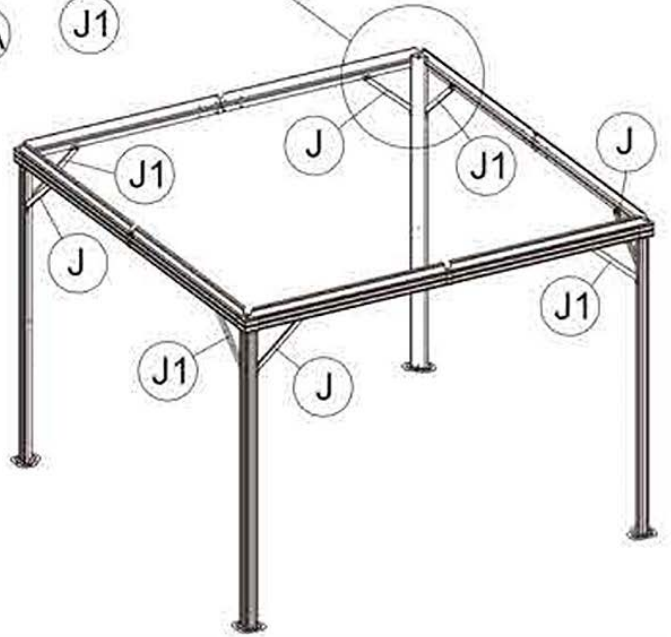
Parts Required:



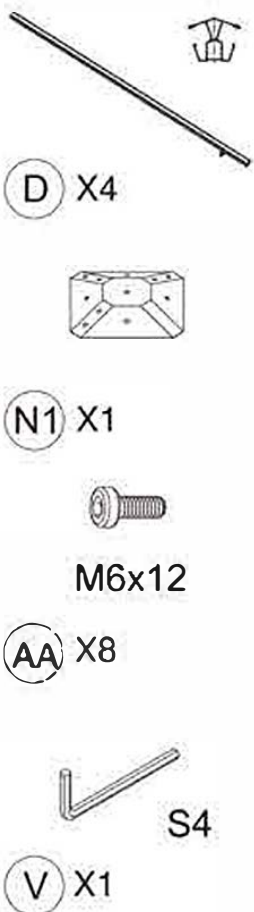
Step 5:



Affix the frame with corner solidifying bars (Part J and J1) using screws AA as shown in diagram.

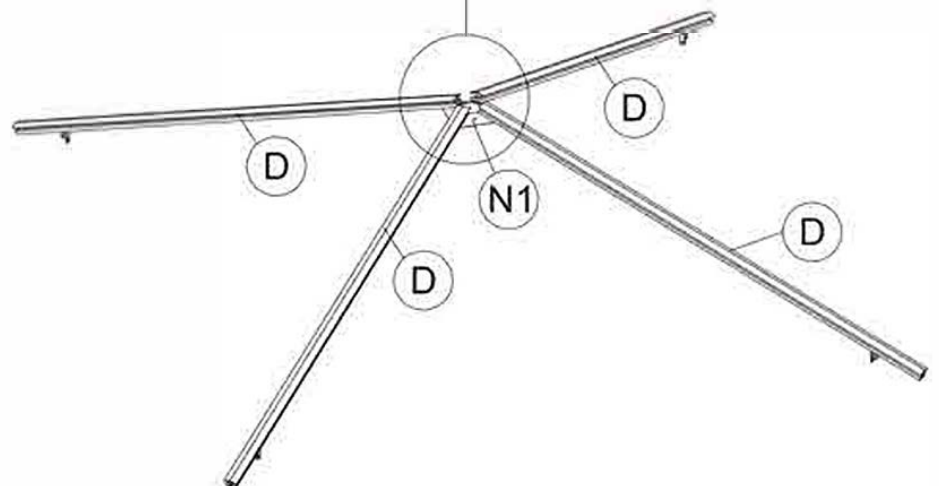
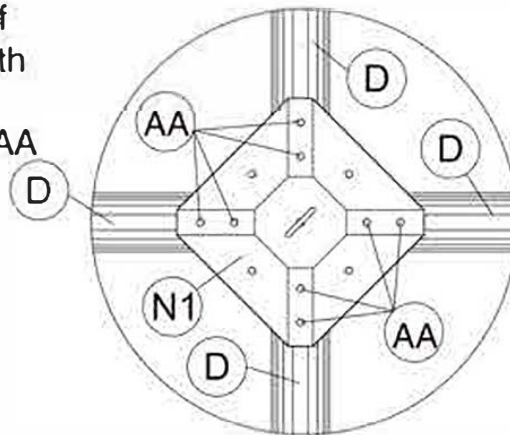


Parts Required:



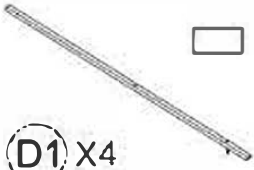
Step 6:

Connect the inside roof connector (Part N1) with the corner roof bar (Part D) using screws AA as shown in diagram.





Parts Required:



(D1) X4



M6x12

(AA) X12

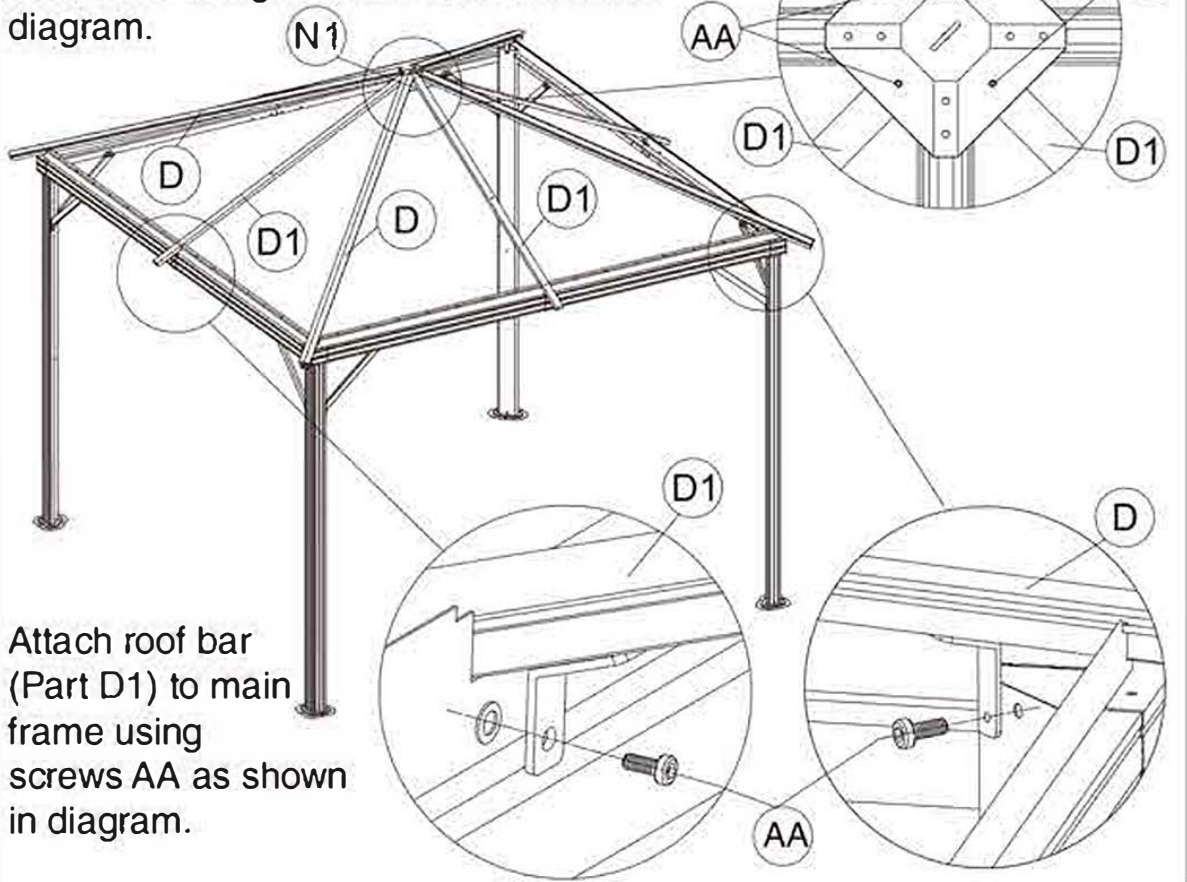


S4

(V) X1

Step 7:

Attach roof bar (Part D1) to inside roof connector using screws AA as shown in diagram.



Attach roof bar (Part D1) to main frame using screws AA as shown in diagram.

Parts Required:



(N) X1



M6x12

(AA) X1

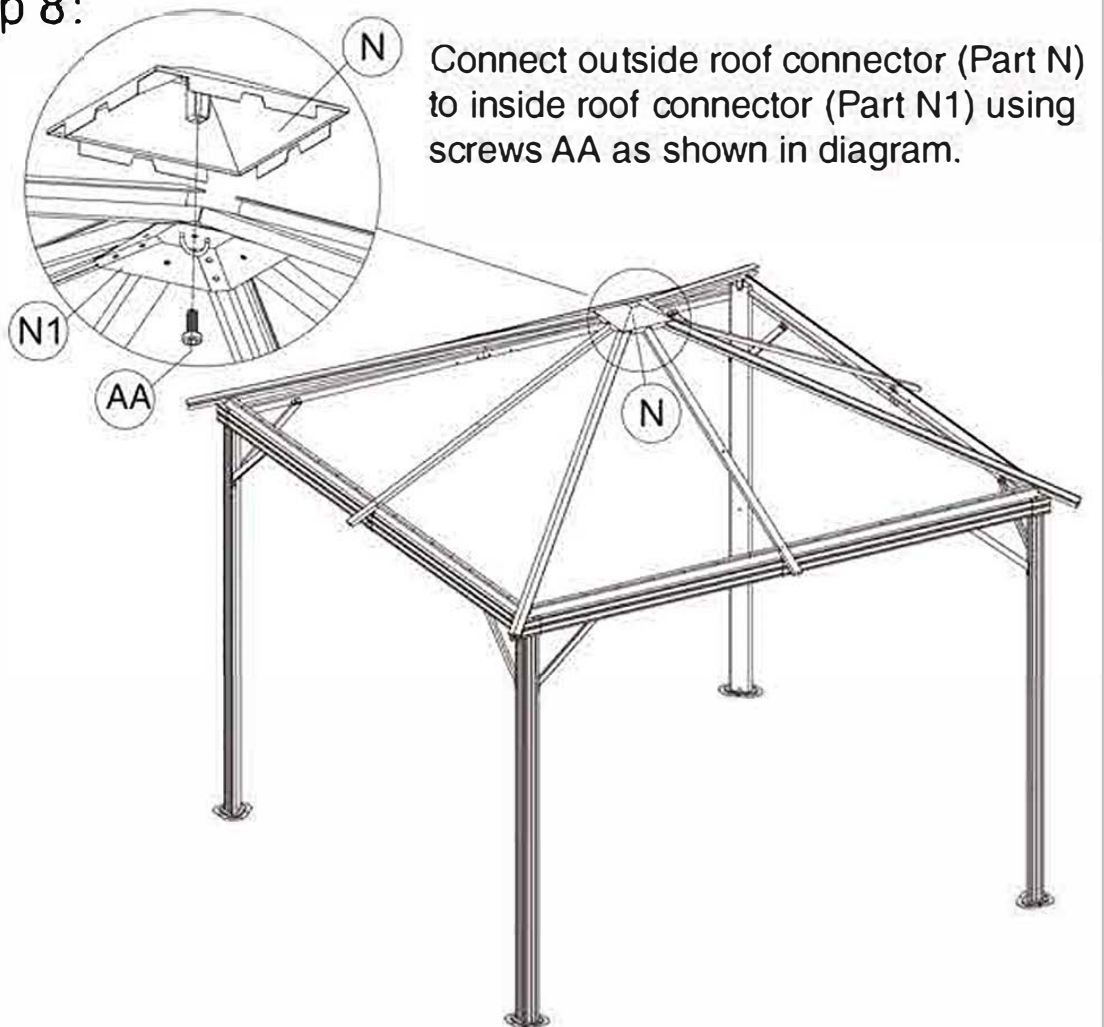


S4

(V) X1

Step 8:

Connect outside roof connector (Part N) to inside roof connector (Part N1) using screws AA as shown in diagram.





Parts Required:



G X4



G1 X4



M6x12

AA X4



M6x8

T X4

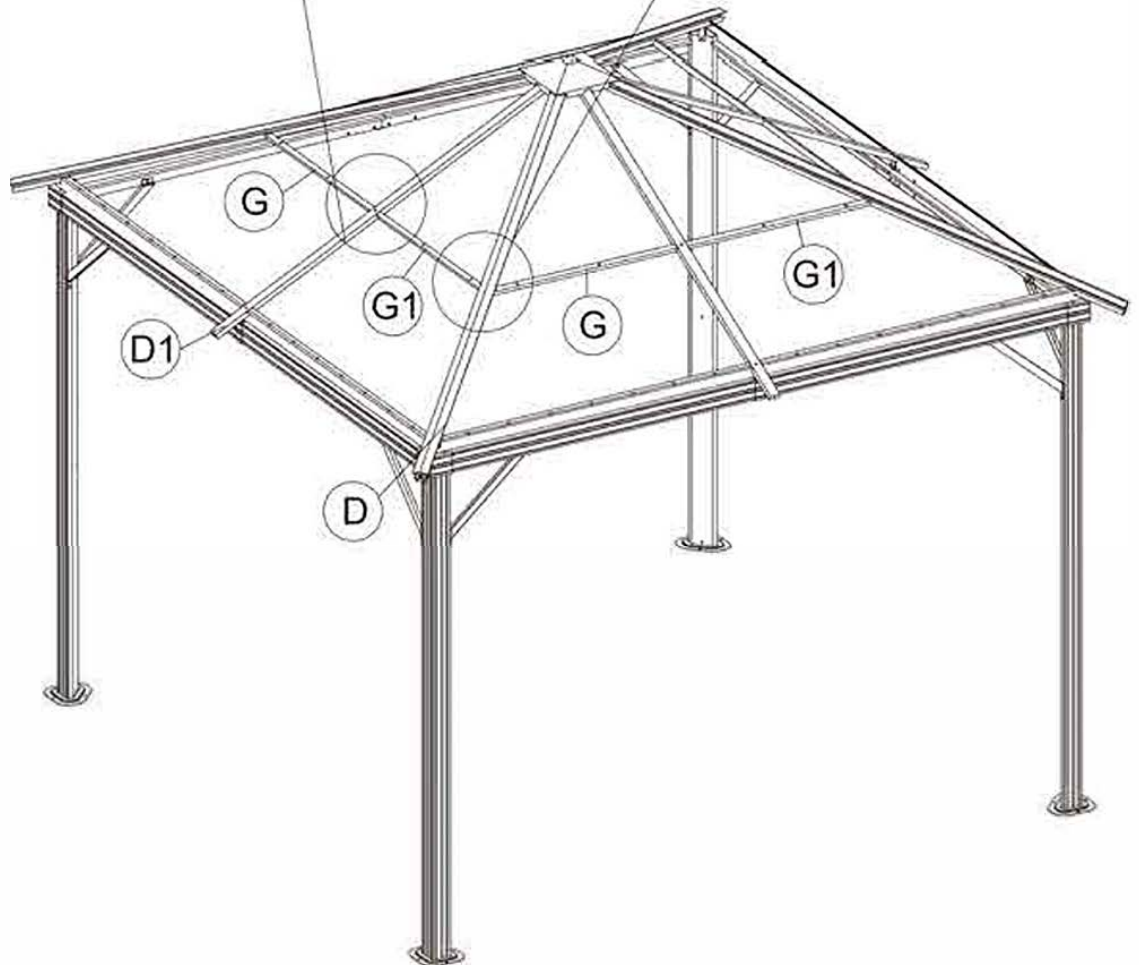
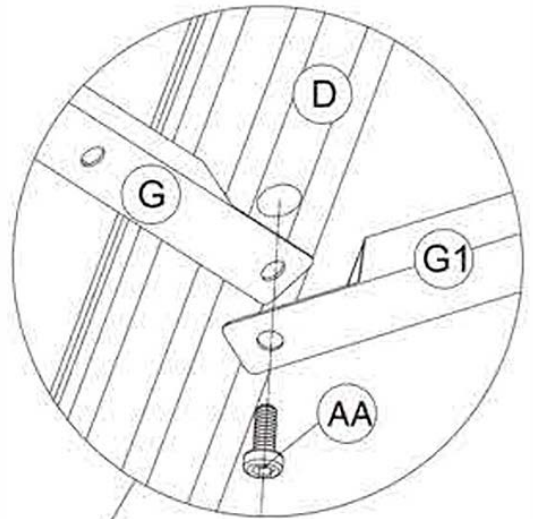
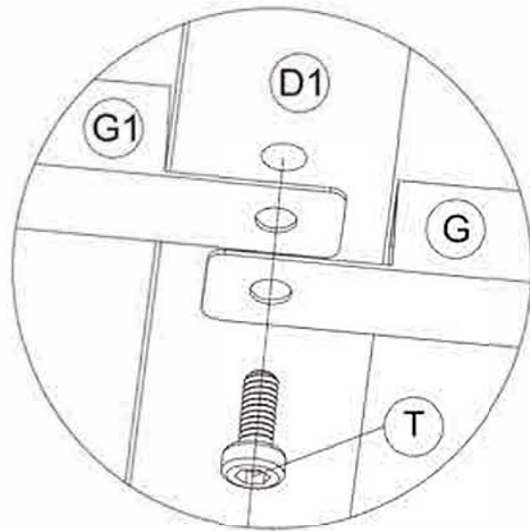


S4










V X1

Step 9:

Affix solidifying bar (Part G and G1) to roof bar (Part D1) and corner roof bar (Part D) using screws (AA and T) as shown in diagram.

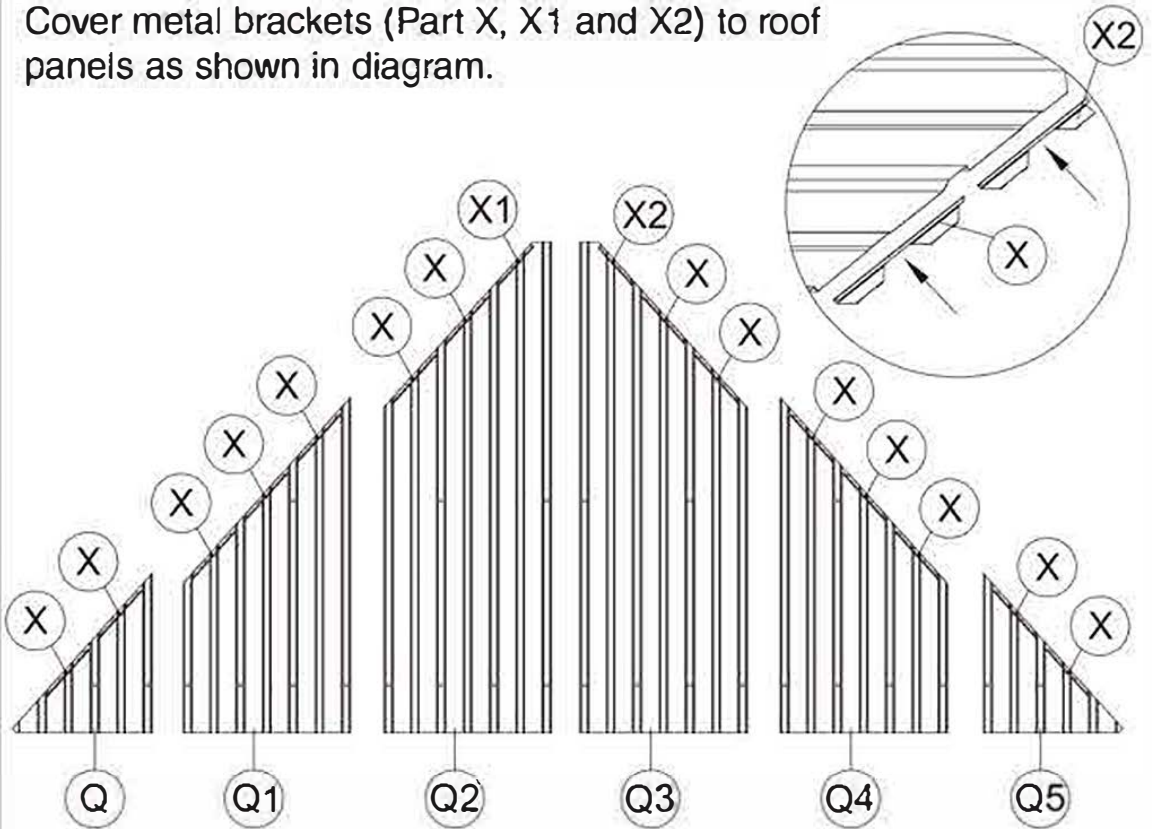


Parts Required:

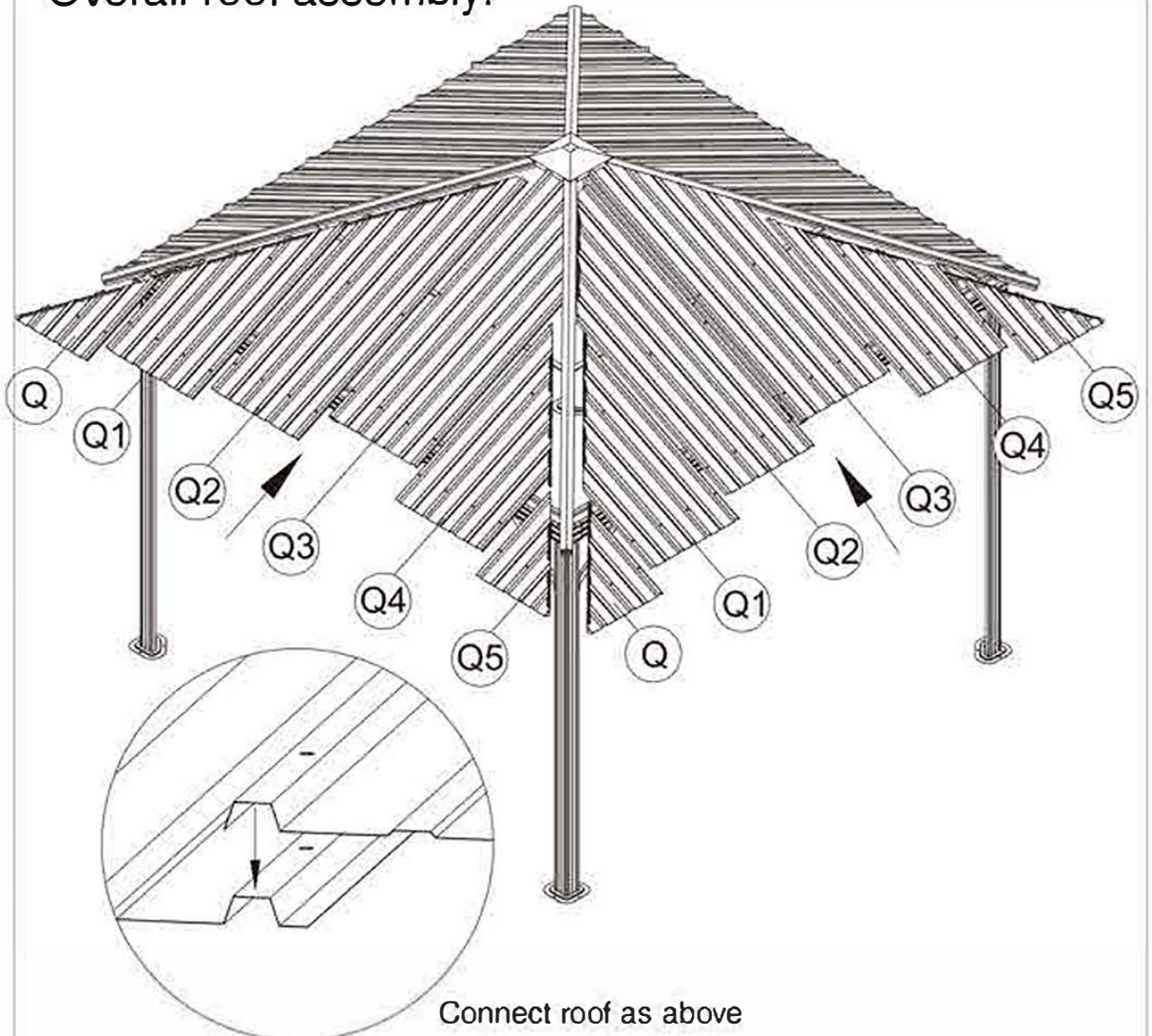
-  Q X4
-  Q1 X4
-  Q2 X4
-  Q3 X4
-  Q4 X4
-  Q5 X4
-  X X56
-  X1 X4
-  X2 X4

Step 10:

Cover metal brackets (Part X, X1 and X2) to roof panels as shown in diagram.



Overall roof assembly:



Connect roof as above



Parts Required:

Step 11:

Affix roof panels using screws and spacer (Part U) as shown in diagram.

(a)

(b)



M6x28



X56



M6x45



X24



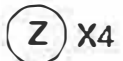
M6x25



X4



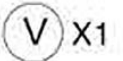
M6x50



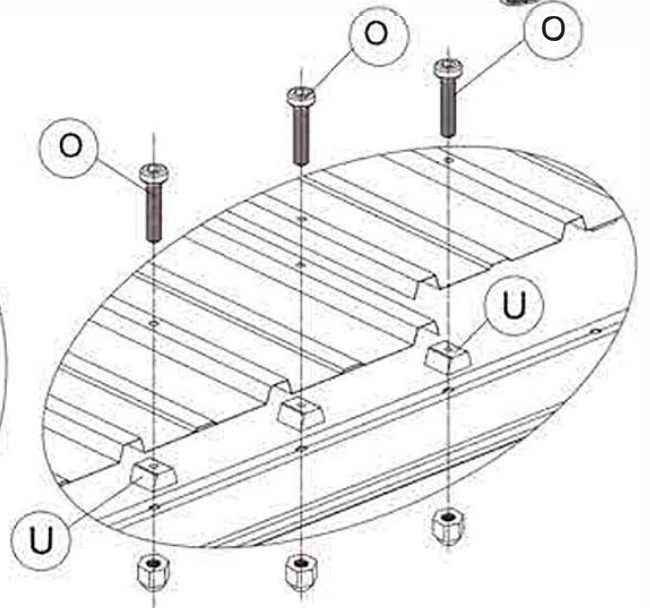
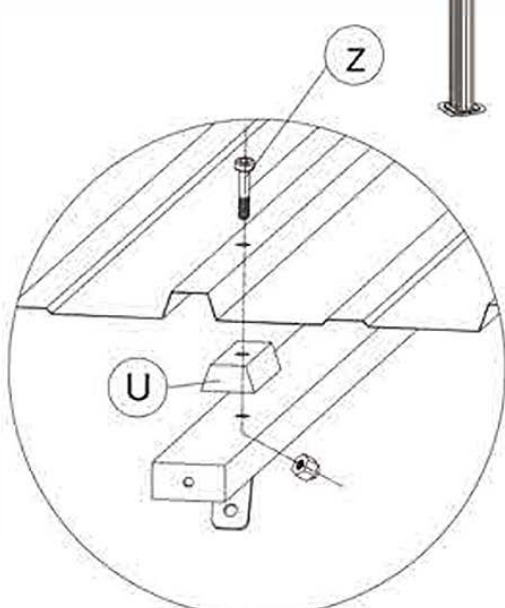
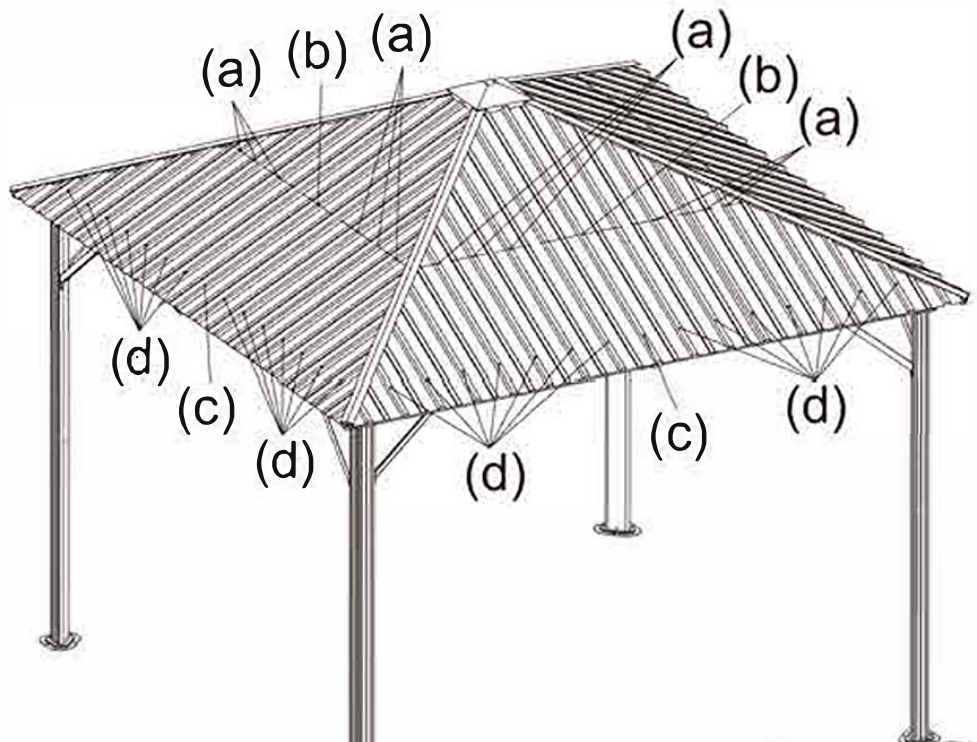
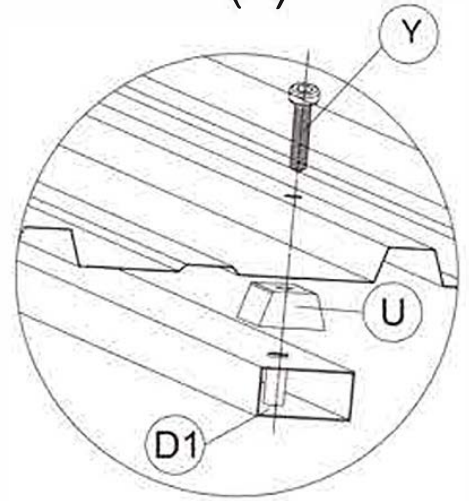
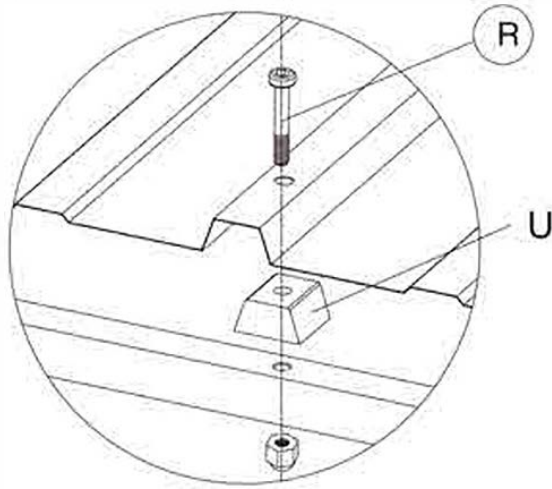
X4



S4



X1

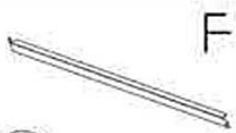


(c)

(d)



Parts Required:



F

(E) X4



F

(E1) X4



(P) X4



(P1) X4



M6x12

(AA) X8

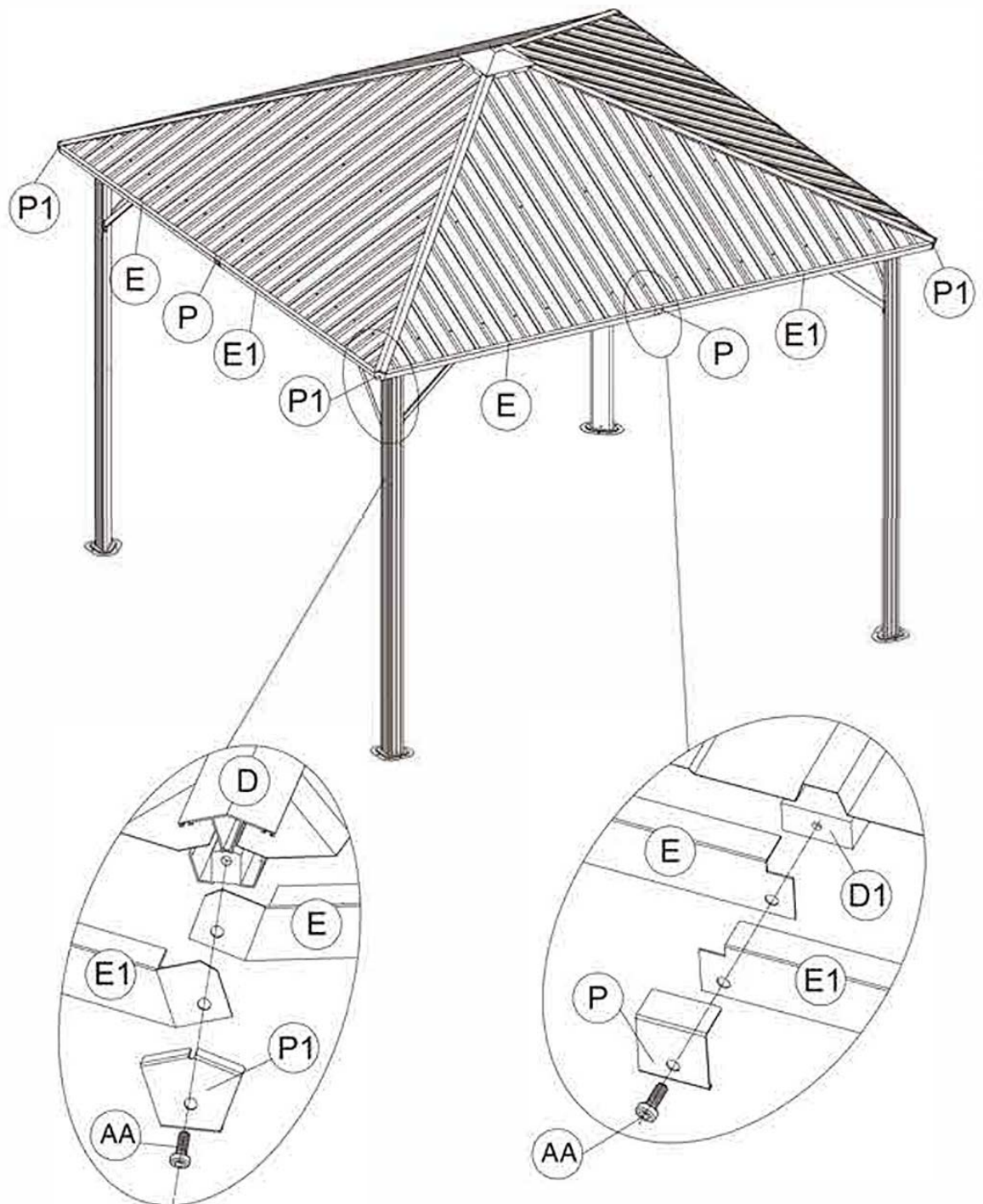


S4

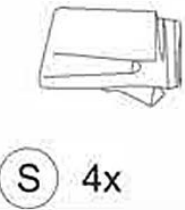
(V) X1

## Step 12:

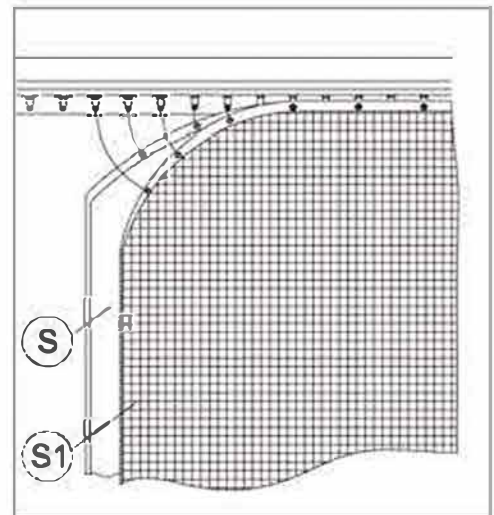
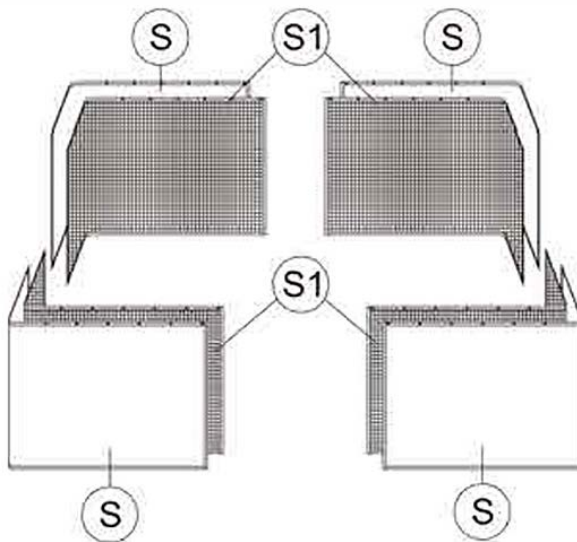
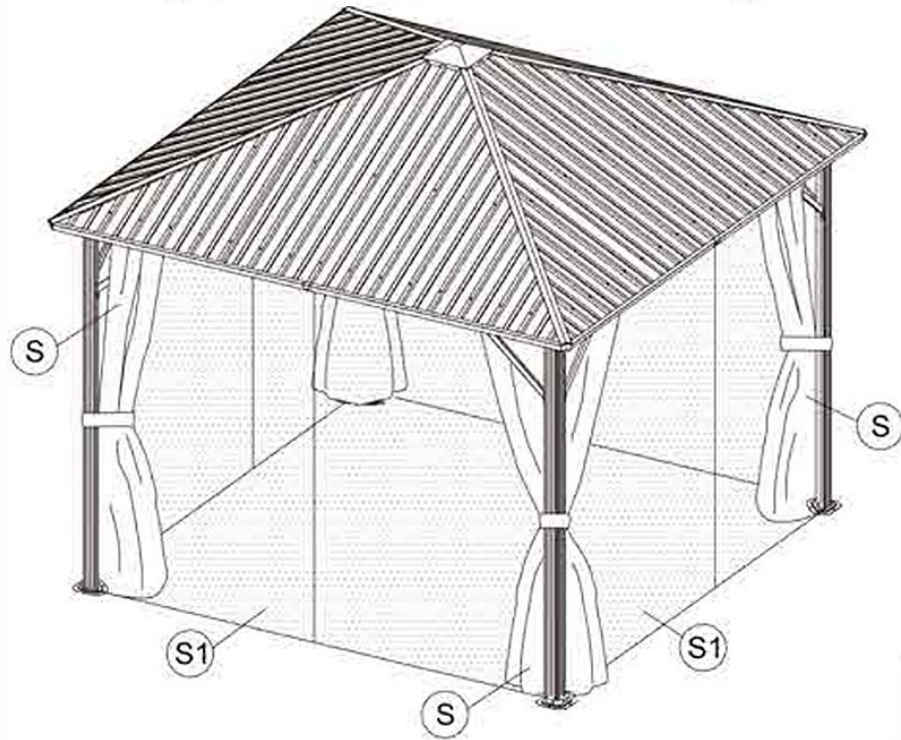
Affix finishing bars (Part E & E1) by (Part P & P1) using screws AA to roof bar and corner roof bar as shown in diagram.



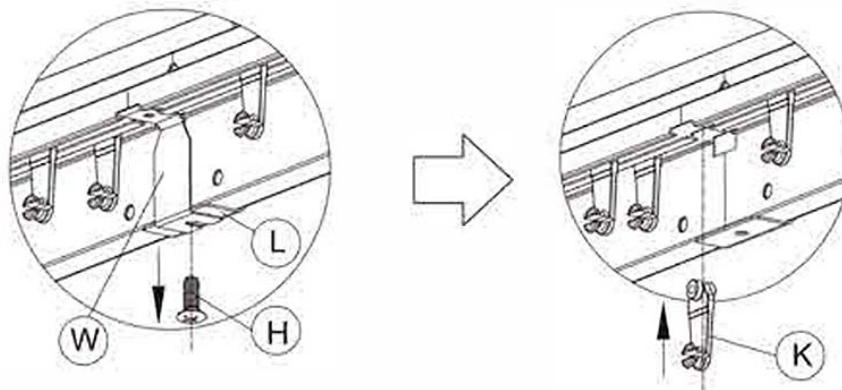
Parts Required:



Step 13: Hang up solid sidewall as shown in diagram.



Attention: Change hook: take out Part W and Part K into the slot.



In the end check all screws are fixed tightly before using.

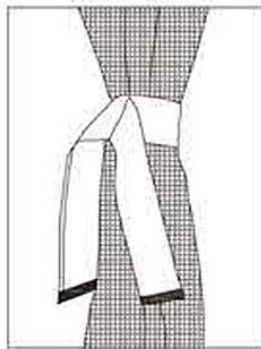
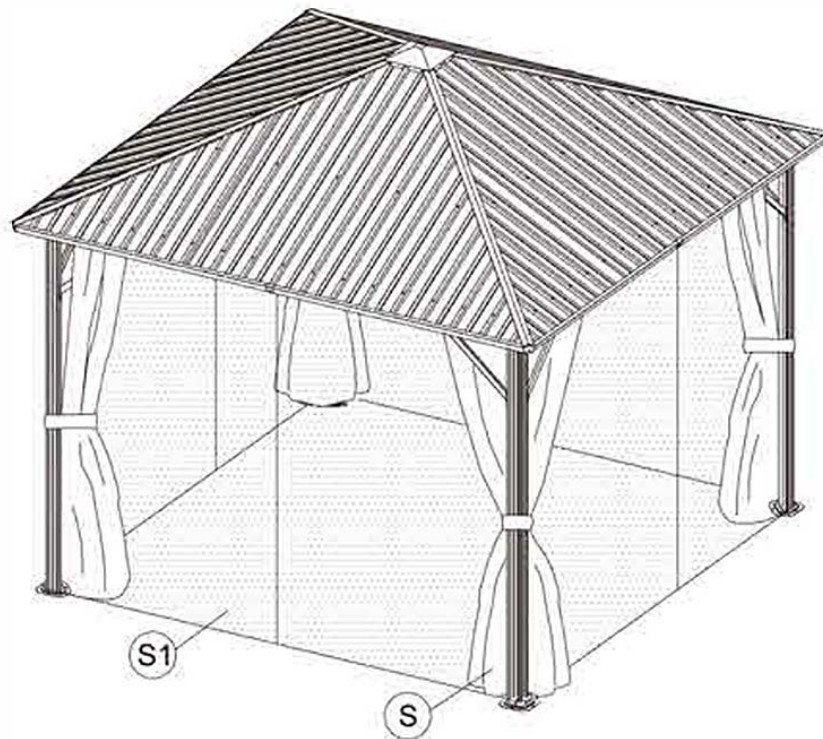


Parts Required:

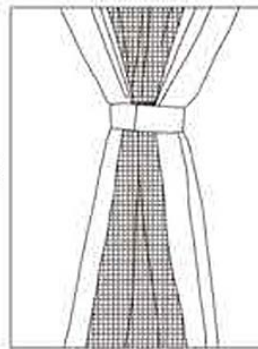


X4

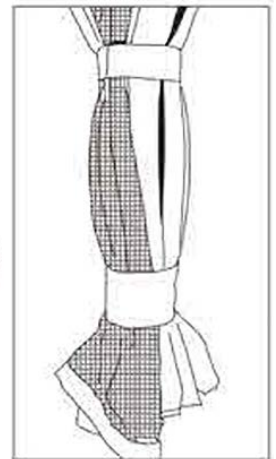
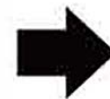
Step 14: There are three ways to secure your netting and curtains to the legs using the include 4 ties.



1.) Securing just the netting.



2.) Securing netting and curtains.



3.) Use all ties for winding conditions.